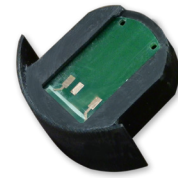


The TDWLB Series Wireless Bluetooth Pressure Transducer



SERIES: TDWLB



TDWLB-BAT1



DESCRIPTION

Another Industry First! The first *Bluetooth*® certified wireless pressure transducer with long battery life and patent pending design makes the Transducers Direct TDWLB a perfect fit for many applications for Industrial and Home Automation.

Download the free app, install the transducer and wirelessly connect - no confusing wiring to figure out. From HVAC in marine, campers, motorhomes, residential and commercial

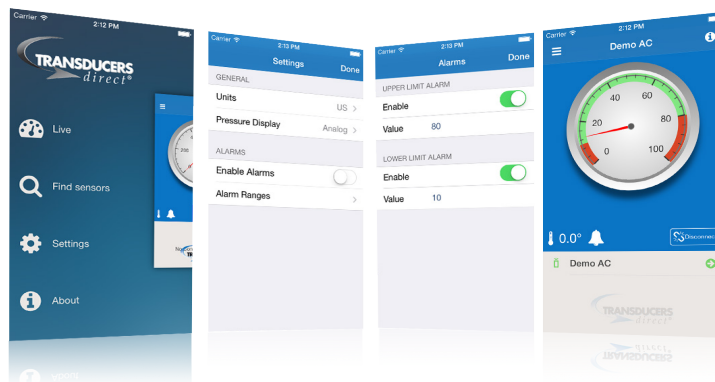
applications to water, hydraulic, irrigation, pools, medical and sprinkler systems or anywhere you need to monitor pressure without the need of wires.

Because it is built on Transducers Direct TD1000 proprietary technology, the TDWLB ensures high quality and high accuracy with Transducers Direct's quick deliveries, and low costs.

FEATURES

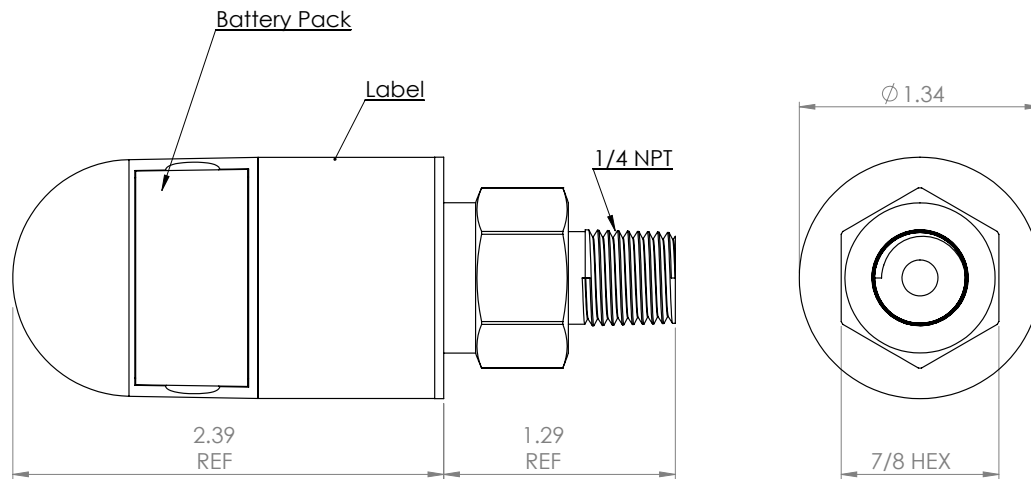
- Connects to smart phones, tablets, PCs with BLE (*Bluetooth*® Low Energy)
- Certified *Bluetooth*® Wireless technology
- Pressure ranges from Vacuum to 10,000 psi
- Long battery life (proprietary technology)
- 1% Standard accuracy with optional 0.25% Ultra high accuracy
- Stainless Steel and high impact polycarbonate construction
- Alarm set points
- Secure field programmable naming
- Patent Pending Design
- Schrader, NPT, SAE and G ¼ pressure connection

TDWLB APP



Free download at the Apple iTunes App Store

Specifications may change without notice. The information we supply is believed to be accurate and reliable as of this printing. However, we assume no responsibility for its use. While we provide application assistance personally, through our literature and the Transducers Direct web site, it is up to the customer to determine the suitability of the product in the application.

DRAWING

REGULATORY COMPLIANCE

This equipment has been tested and found to comply with the limits for a Class A digital device pursuant to part 15 of the FCC Rules. These limits are designed to provide reasonable protection against harmful interference when the equipment is operated in a commercial environment. This equipment generates, uses, and can radiate radio frequency energy and, if not installed and used in accordance with the instruction manual, may cause harmful interference to radio communications. Operation of this equipment in a residential area is likely to cause harmful interference in which case the user will be required to correct the interference at his own expense.

Changes or modifications not expressly approved by Transducers Direct could void the user's authority to operate the equipment. FCC ID: 2ACGE-TDWLB.

This device complies with Industry Canada licence-exempt RSS standard(s). Operation is subject to the following two conditions: (1) this device may not cause interference, and (2) this device must accept any interference, including interference that may cause undesired operation of the device.

Le présent appareil est conforme aux CNR d'Industrie Canada applicables aux appareils radio exempts de licence.

L'exploitation est autorisée aux deux conditions suivantes : (1) l'appareil ne doit pas produire de brouillage, et (2) l'appareil doit accepter tout brouillage radioélectrique subi, même si le brouillage est susceptible d'en compromettre le fonctionnement.

IC: 12056A-TDWLB

SPECIFICATIONS

| | |
|----------------------|---|
| Performance | Performance @ 25°C (77 °F) |
| Accuracy | 0.25% or 1% BFSL |
| Overrange Protection | 2x Rated Pressure |
| Pressure Range | see ordering chart - up to 5000 psi (345 bar) |
| Burst Pressure | 5x or 20,000 psi, whichever is less |
| Pressure Cycles | >100 million |
| Update Time | Bluetooth® wireless technology (1sec) |

Environmental Data

| | |
|--------------------------|---|
| Temperature | |
| Compensated Temperatures | -10° to 60° C (14 to 140° F) |
| Operating Temperatures | -10° to 60° C (14° to 140° F) |
| Storage | -40° to 125° C (-40° to 257° F) without battery |
| TEB | 3% BFSL (includes: Non-linearity, Hysteresis and Non-repeatability) |
| Long Term Drift | 0.2% FS/year (non-cumulative) |
| Shock | 50g, 11 ms, 1/2 sine |
| Vibration | 10g, peak, 20 to 2400 Hz |
| EMI/FRI Protection | Yes |
| Rating | IP-65 |

Mechanical Configuration

| | |
|----------------------|--|
| Pressure Connections | 1/4" NPT Male, 7/16-20 UNF Male, G1/4 Male, 7/16-20 UNF Female w/ 45° flare & valve depressor (Schrader) |
| Wetted Material | 17-4PH stainless steel (for other materials consult factory) |
| Case | (housing) 304 stainless steel and high-impact polycarbonate |

Electrical Data

| | |
|--------------|--|
| Power Supply | Replacement battery (TDWLB-BAT1) battery life: 12-18 months, typical |
|--------------|--|



ORDERING

| Series | Accuracy | Pressure Range | Pressure Connection |
|--------|-------------|----------------|------------------------|
| TDWLB | 100 | 0500 | 03 |
| | 100 = 1.0% | 0015 1000 | 03= 1/4" NPT Male |
| | 200 = 0.25% | 0025 2000 | 09= 7/16-20 UNF Male |
| | | 0050 3000 | 13= G1/4 Male |
| | | 0100 4000 | 42= 7/16-20 UNF Female |
| | | 0250 5000 | w/ 45° flare & valve |
| | | 0500 | depressor (Schrader) |
| | | 0750 | ** |
| | | ** | |

**= Consult factory for further OEM options.

Pressure ranges listed above are quick ship versions.

All straight-thread o-rings are Viton. It is customer's responsibility to determine compatibility.